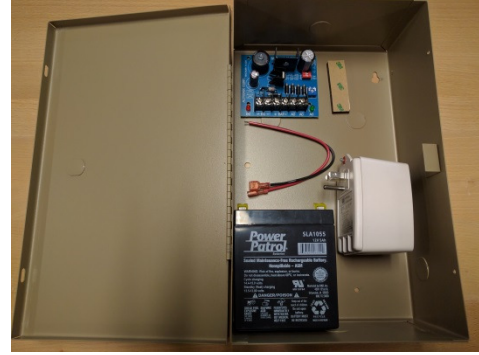


MC-1



MC-2



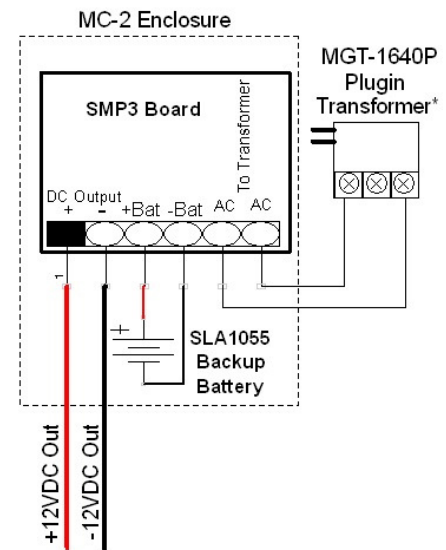
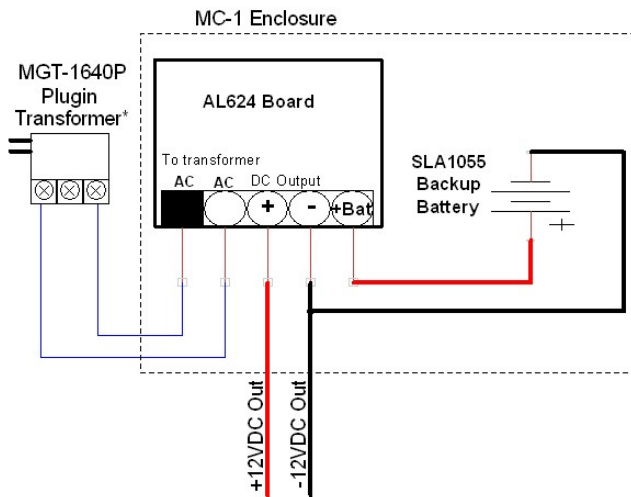
Power Supplies Technical Specifications

MC-1

- 1.2 amp of continuous supply current @ 12VDC
- Transformer requirements: MGT-1640P
- Filtered and electronically regulated outputs.
- Short circuit and thermal overload protection.
- Built-in charger for sealed lead acid or gel type battery backup.
- Maximum charge current .3 amps.
- AC input and DC output LED indicators.
- Metal Enclosure (7.25" x 12.00" x 3.50")

MC-2

- 2.5 amp of continuous supply current @ 12VDC
- Transformer requirements: MGT-1640P
- Filtered and electronically regulated outputs.
- Short circuit and thermal overload protection.
- Built-in charger for sealed lead acid or gel type battery backup.
- Maximum charge current .3 amps.
- AC input and DC output LED indicators.
- Metal Enclosure (7.25" x 12.00" x 3.50")



Do not Connect Center Terminal on MGT-1640P to DC Circuit. It is for optional Chassis Ground only

Maglocks.comTM
Secure Locking Solutions

1177 Riverfront Center • Amsterdam, NY • 12010

ph: 518-212-5329 fax: 518-843-3399

www.elocksolutions.com